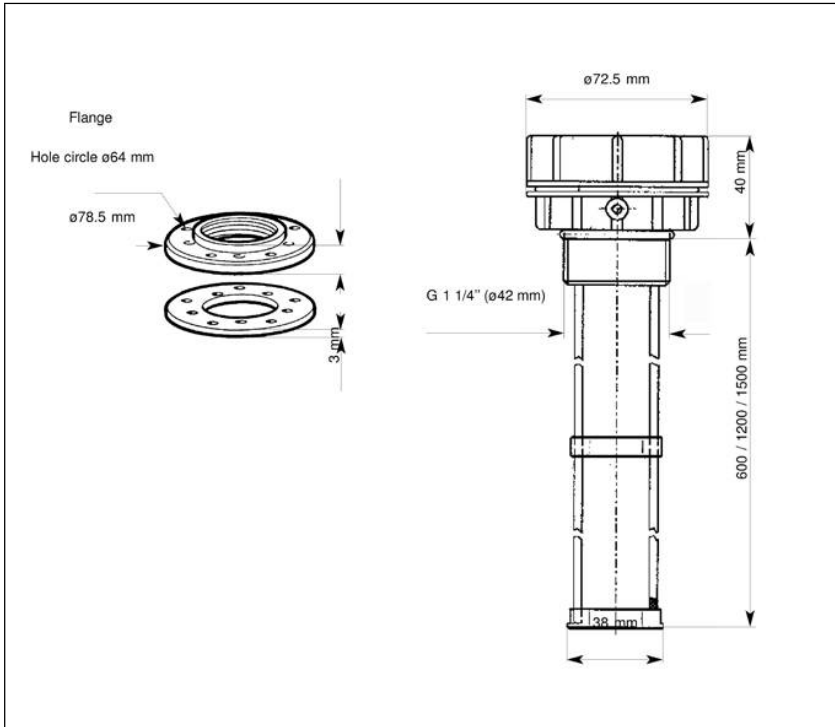


3.3.2 Water Level Sensors | **Black Water Level Sensors**

Capacitive sensor (galvanic separated) with adjustable warning contact.

Dimensions of sensor (mm):



Part number	Tank height
N02-240-902	80 to 600mm
N02-240-904	600 to 1200mm
N02-240-906	1200 to 1500mm
X10-224-000-007	Flange

Technical data	
Capacitive sensor:	output 4-20mA
For tank height:	80 to 1500 mm
Operating voltage:	6V-24V
Operating temperature:	-30°C to +70°C